

NexGeneration UHV Suitcase Configuration Example
 VSN40S(VRV) -0500-WMG40(FC) -0650-0090-PGWMS(OM) -TSMVSNV-MD40(YO) -0080-0001-RECOMSTACKY0(D6)H-TSMDH

Storage Manipulator: MD40(YO) -0080-0001-RECOMSTACK(D6)H-TSMDH

TSNDH

Tube Support for MD16(TS) and MD40 single sided

RECOMSTACK(D6)H

Stack of 6 double stacked receptacles for SHOM sample plates

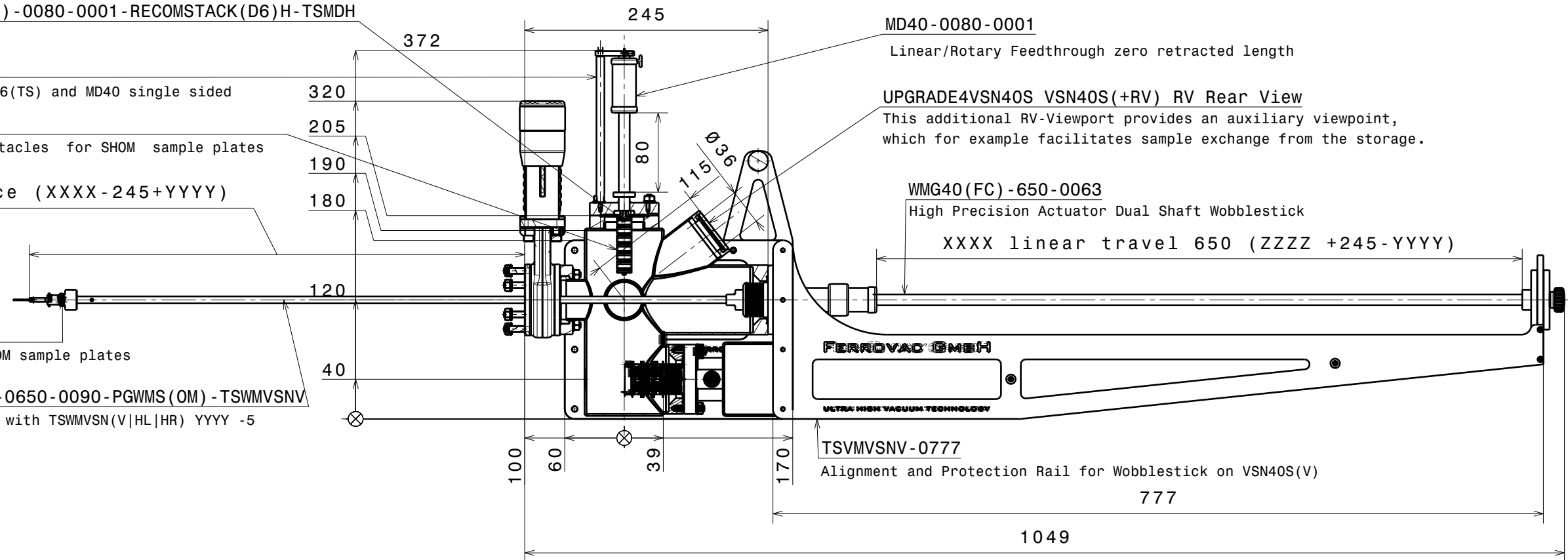
ZZZZ extended distance (XXXX-245+YYYY)

PGWMS(OM)

Straight Pincer for SHOM sample plates

Transfer Manipulator: WMG40(FC) -0650-0090-PGWMS(OM) -TSMVSNV

Please note: Wobblestick in combination with TSMVSN(V|HL|HR) YYYY -5



MD40-0080-0001

Linear/Rotary Feedthrough zero retracted length

UPGRADE4VSN40S VSN40S(+RV) RV Rear View

This additional RV-Viewport provides an auxiliary viewpoint, which for example facilitates sample exchange from the storage.

WMG40(FC) -650-0063

High Precision Actuator Dual Shaft Wobblestick

XXXX linear travel 650 (ZZZZ +245-YYYY)

FERROVAC GMBH

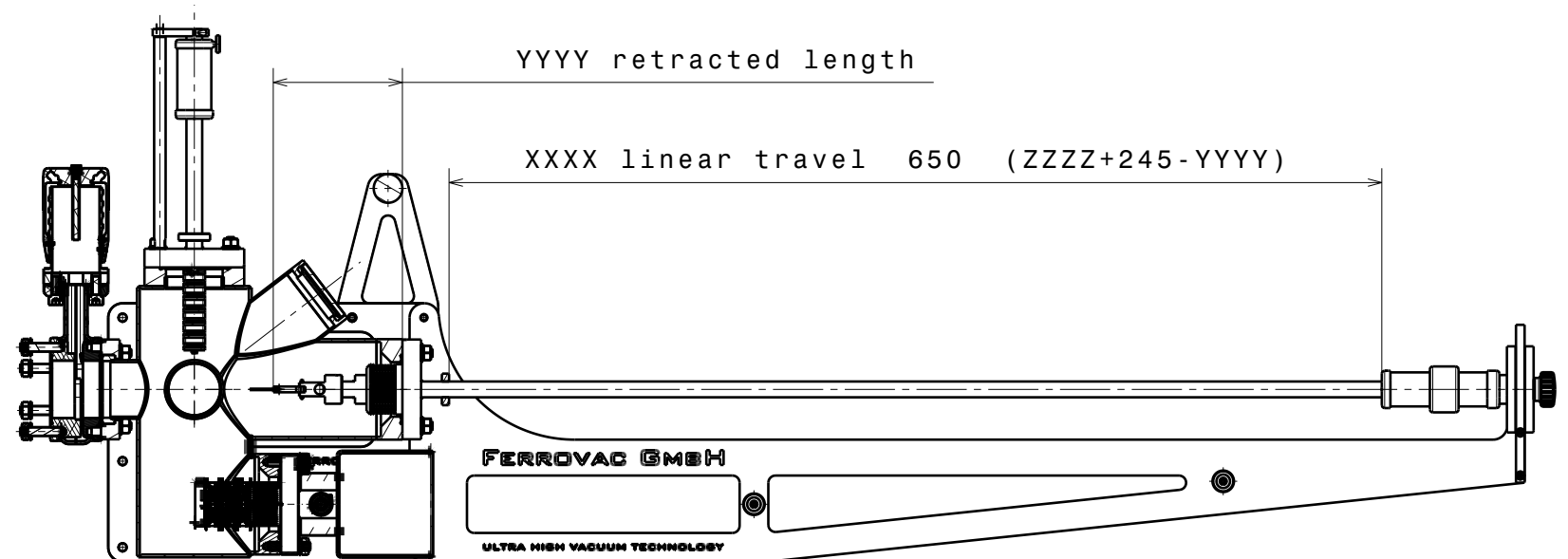
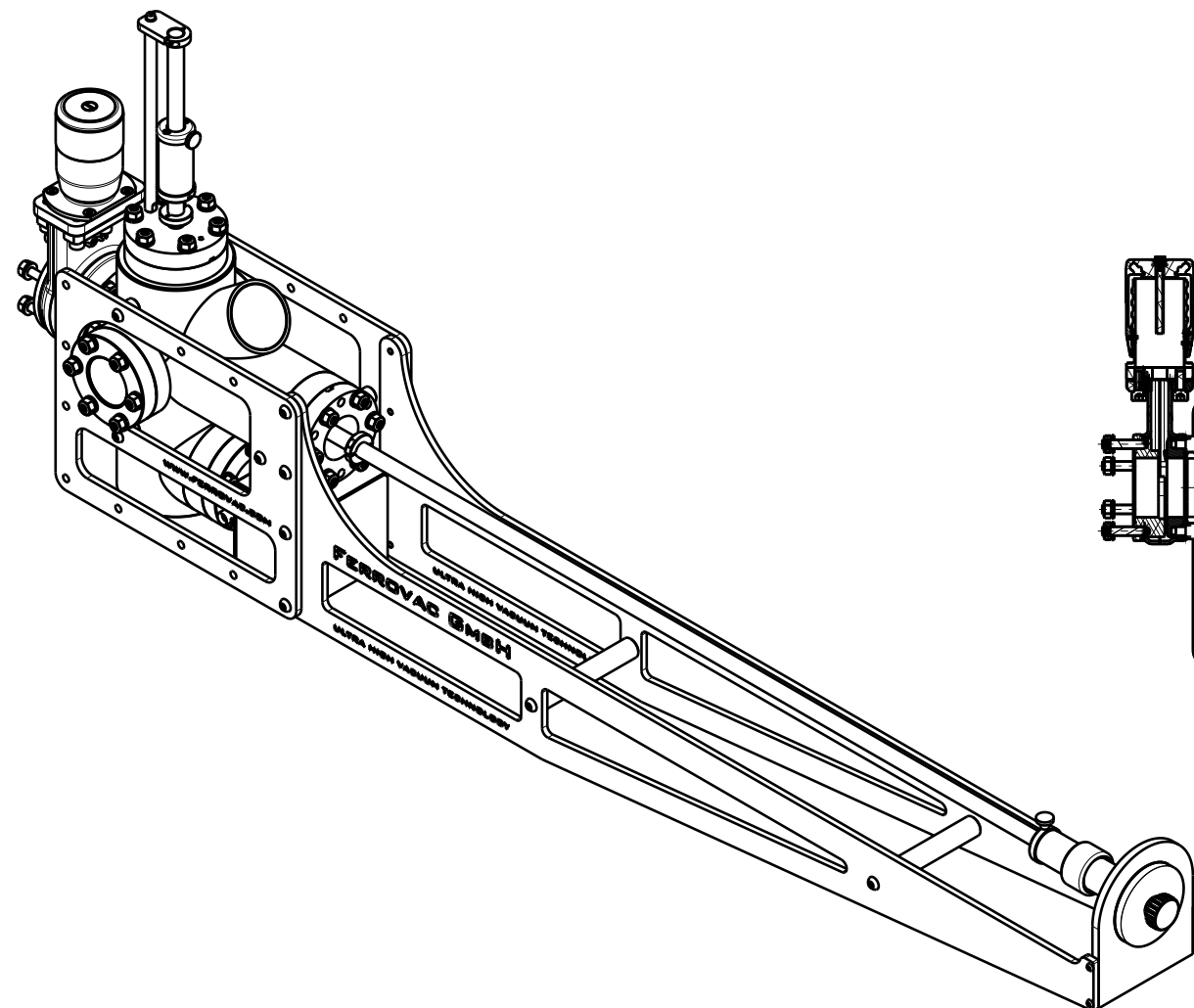
ULTRA HIGH VACUUM TECHNOLOGY

TSMVSNV-0777

Alignment and Protection Rail for Wobblestick on VSN40S(V)

777

1049



Material: all UHV compatible	nominal dimension	over up to	1	6	30	100	300	1000
			6	30	100	300	1000	2000
	tolerance	±	0.05	0.1	0.3	0.5	0.8	1.2
NexGeneration UHV Suitcase	Scale	Drawn	von Gunten					
VSN		Date	22.07.2013					
		Changed	13.10.2015DR					
Ferrovac GmbH	1:5	VSN40S						
CH-8050 Zurich	Rev. G	A3 sheet 2/3						

THE INFORMATION CONTAINED IN THIS DRAWING IS THE SOLE PROPERTY OF FERROVAC GMBH. ANY REPRODUCTION IN PART OR AS WHOLE WITHOUT OUR PERMISSION IS PROHIBITED.